

ASSEMBLY INSTRUCTIONS

MIRROR

PARTS ENCLOSED: (1) Mirror (8) Allen Head Bolts 1-1/2"
(2) Wood Bracket (8) Flat Washers
(8) Spring Washers (1) Allen Wrench

DIRECTIONS:

1. CAREFULLY REMOVE THE MIRROR FROM THE CARTON AND DISCARD OF THE PACKAGING, MAKING SURE NOT TO DISCARD THE HARDWARE BAG.
2. PLACE THE MIRROR ON A PROTECTIVE SURFACE TO AVOID SCRATCHING.
3. ATTACH THE TWO WOODEN BRACKETS TO THE DRESSER USING THE ENCLOSED SCREWS (FIGURE 1). MAKE SURE THE BRACKETS ARE VERTICAL AND SCREWED IN AS SHOWN IN THE DRAWING.

NOTE: THERE ARE PRE-DRILLED HOLES ON THE BACK OF THE DRESSER AND THE MIRROR TO POSITION THE BRACKETS.

NEXT, PLACE THE MIRROR ON THE DRESSER AGAINST THE BRACKETS SO THAT THE HOLES LINE UP, AND ATTACH THE MIRROR TO THE BRACKETS WITH THE REMAINING SCREWS (FIGURE 2). THE MIRROR CAN BE SET UP TWO DIFFERENT WAYS (SEE BOTH CASE STYLES BELOW).

CAUTION: BE CAREFUL NOT TO DRAG THE MIRROR ACROSS THE TOP OF THE DRESSER AS YOU MAY DAMAGE THE FINISH.

IMPORTANT: IF YOU CHOOSE NOT TO ATTACH THE MIRROR TO THE DRESSER, YOU MAY HANG IT ON THE WALL USING THE TWO PRE-INSTALLED HANGERS (SEE LETTER 'A' BELOW). PLEASE BE SURE TO USE PROPER WALL SUPPORTS (**NOT INCLUDED**) AND FOLLOW ALL WARNINGS, WEIGHT LIMITS, AND INSTRUCTIONS OF THE MANUFACTURER OF THE SUPPORT SYSTEM.

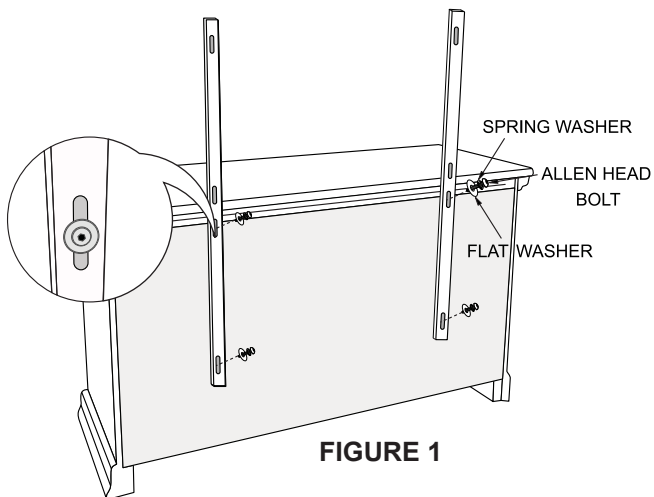
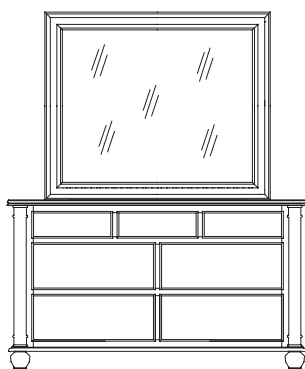


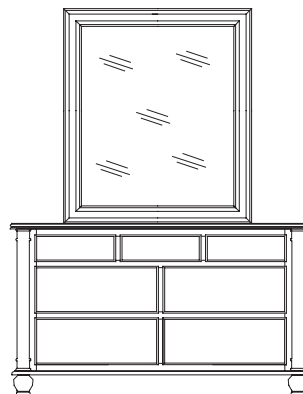
FIGURE 1



FIGURE 2



FIRST CASE STYLE



SECOND CASE STYLE